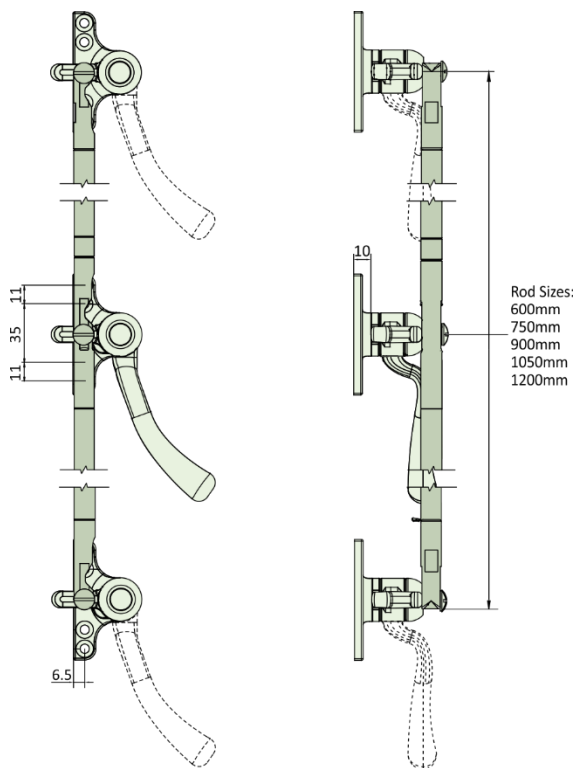


PRODUCT FEATURES & TECHNICAL INFORMATION

B205 Scroll Classic Handle Triplex 4-Hole Backplate Night Vent Variation



Dimensions Inward Opening 4 hole Backplate

- A Triplex window handle that gives 3 locking points operated from a single handle, use with B646 connecting rods available in 5 sizes
- Use for inward opening windows above 1800mm or where access to a single cockspur handle becomes difficult and/or when night vent option required
- The handle can be positioned at the base of the window with 2 'nose' locking points above or alternatively in the middle or at top for multiple applications
- Non locking and outward opening variations available
- Backplate can be replaced with a 2-hole version (screw or rivet)
- Suitable for M5 countersunk fixing screws
- Suits with the standard range of window handle and Duplex handles
- Available in several finishes or matching RAL finish on request
- Complimentary B375 pegstay available in 2 sizes for standard window opening
- Complimentary door handles and escutcheons available for suited look



B646NOSEOI & 2 Connectors

B205K09FTROI – Key Locking with Connector